

Pressure Transmitter ZS - 10 (4 - 20 mA)

Parameter**ZS-10****Special**

- ✎ Output signal: 4...20 mA
- ✎ Supply voltage: 12...32 V
- ✎ Poly - Si -on SiO₂ thin film resistance
- ✎ Mixed signal ASIC

Advantage

- ✎ Transmitter contain only a small number of active components
- ✎ Measuring range 0... 4000 bar
- ✎ Optional mechanic and electrical connectors
- ✎ Elektromagnetic compatibility EMV and ESD
- ✎ The special steel membran is completely vacuum -tight, burst-proof an can be used for all standard media in hydraulik, pneumatic, and water applications
- ✎ Resistant to pressure peaks
- ✎ Protection mode IP 65
- ✎ The ASIC is a precision CMOS with EEPROM data storage and analog signal path

Pressure type

- ✎ Relativpressure again environpressure
- ✎ Relativpressure again intern atmosphäre

Measurement Princip

- ✎ Piezoresistiv cell on steel membran / thin-film
- ✎ Shook-proof : IEC 68-2-27
- ✎ Vibration resistant: IEC 68-2-06 and IEC 68-2-36

**Application**

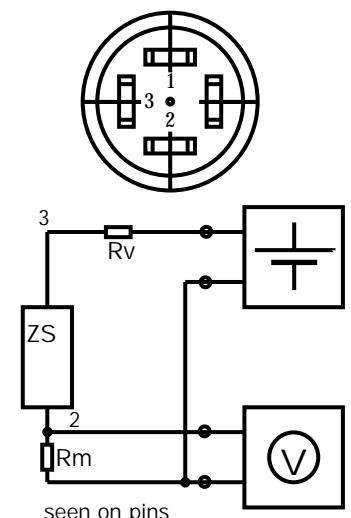
- ✎ Process Control
- ✎ Mobilhydraulicsystems
- ✎ Hydraulic, Pneumatic
- ✎ Heating and Airconditioning
- ✎ Automotiv application
- ✎ Testing Technologie
- ✎ Industrial Roboter
- ✎ Water technologie

Technical Data

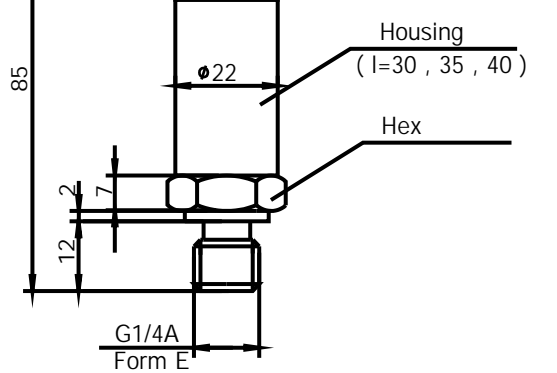
Operating conditions and Pressure range

Operating conditions and Pressure range	
<p><u>Sensor</u></p> <p>Measurement princip Thin film piezoresistiv on steel membran</p> <p><u>Temperature range</u></p> <p>Ambient temperature - 40°C...+105°C Media temperature - 40°C...+150°C Storage temperature - 40°C...+125°C</p>	<p><u>Pressure range</u></p> <p>Measuring range: standard pressure (bar) 1.6, 2.5, 4, 6, 10, 16, 25, 40, 100, 160, 250, 400, 600, 1000, 1600, 2000, 4000 bar</p> <p>Overload range : 2 * FS Bursting pressure : 3 * FS</p> <p>Materials of parts with contact to measuring: to 500 bar X 5 CrNi1810 SUS 304-50 Mpa 500-2000 bar X 5 CrNiCuNb 174 SUS 630-100Mpa no O-Ring, no silikon - oil</p>

Electrical parameter

<p>Span 16,0 mA Endvalue 20,0 mA Offset 4,0 mA Linearity error on RT $\pm 0,5\%$ FS Total error at -40...-20°C typ. 3% FS Total error at -20.. +85°C typ. 1% FS Total error at +85..+100°C typ. 2,5% FS Isolation resistance at 50 V 100 M Operating voltage 12 to 32 VDC max.load resistor $(U_b-10V) / 20mA$ Response time (10..90%) <1ms</p> <p>* Total error: Integral total error includes non-linearity, hysteresis, repeatability and temperature influence</p> <p>** Customer specific special design with optional better exactness on request</p>	 <p>seen on pins</p>
---	---

Order information

<p>Example:</p> <p>ZS-10-xxxxbar-G1/4-DIN43650 BF C</p> <p>Please, speak with our application engineers, when you have special detail questions.</p>	
--	--