

Electronic OEM pressure switch DS2 - programmabel with Display

Criteria

- Electronic pressure switch with following features:
- media compatibility, Helium tested (oil, brake-fluid, Diesel fuel, methane and other gases)
- excellent stability and over pressure capability
- various preset pressure ranges standard from 2 bar to 4000 bar

Technical Data

- pressure range: see standard ranges
- overload: 2 x full scale
- burst pressure: 3 x full scale
- weight: 100 g
- operating voltage: DC 12-27V
reverse-connect-protected
- max. voltage surge: 35V at 25°C
- current consumption: app. 45mA at 12V
- switch output (switching against UB, pnp): max. 1A
- switching resolution: 0,2% F.S.
- total error: <math>< \pm 1,5\%</math> full scale
- Display: 4-sign-LED-display
revolvable
- programable with: 3 keys
 - unit of measure
switchable bar, kPa or PSI
 - Owner-code
 - switchpoint and hysteresis
 - polarity output normally open
normally closed
 - switch delay 5ms...3 s
 - offset equalize zero (place
- thread 1/4"
other media supply for inquiry)

Operating conditions

- storage temperature: -20 to +120°C
- operating temperature: -10 to +80°C
- shock proof: 300m/s² 14 ms at RT
- Vibration stability: 10g / 20-1000 Hz
- EMV and ESD acc. to: EN 50082-1 and
EN 50082-2

DS2 - 100 bar



Features

The stainless steel membrane is totally vacuum proof, extremely burst proof and can be used in all medias, as long as they are stainless steel compatible.

Applications

- Hydraulic
- Pneumatic
- Environmental technology
- Process control
- Semiconductor industry
- Automotiv
- Agricultural devices
- Heating systems
- Robot systems

1 Standard ranges in kPa (other ranges open request)

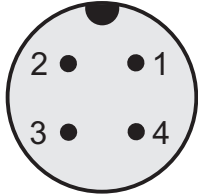
0 - 500	0 - 5.000	0 - 50.000
0 - 1.000	0 - 10.000	0 - 70.000
0 - 2.000	0 - 35.000	0 - 200.000

2 All parts that get in contact with the media are made of 17-4PH stainless steel of the series 300.
no O-rings and silicon oil pattern

Technical Data

Layout of pin connections

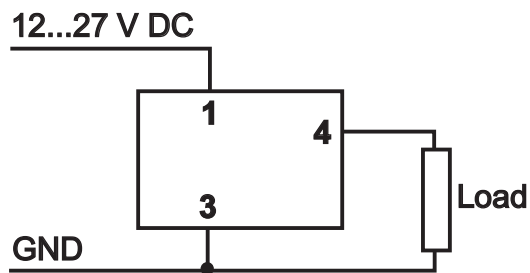
pin designation



Pin assignment scheme

- | | | |
|---|---|---------|
| 1 | Plus operating voltage (DC +12...27 Volt) | (brown) |
| 2 | free | |
| 3 | Minus operating voltage (Ground) | (blue) |
| 4 | Switching output | (black) |

Block diagram

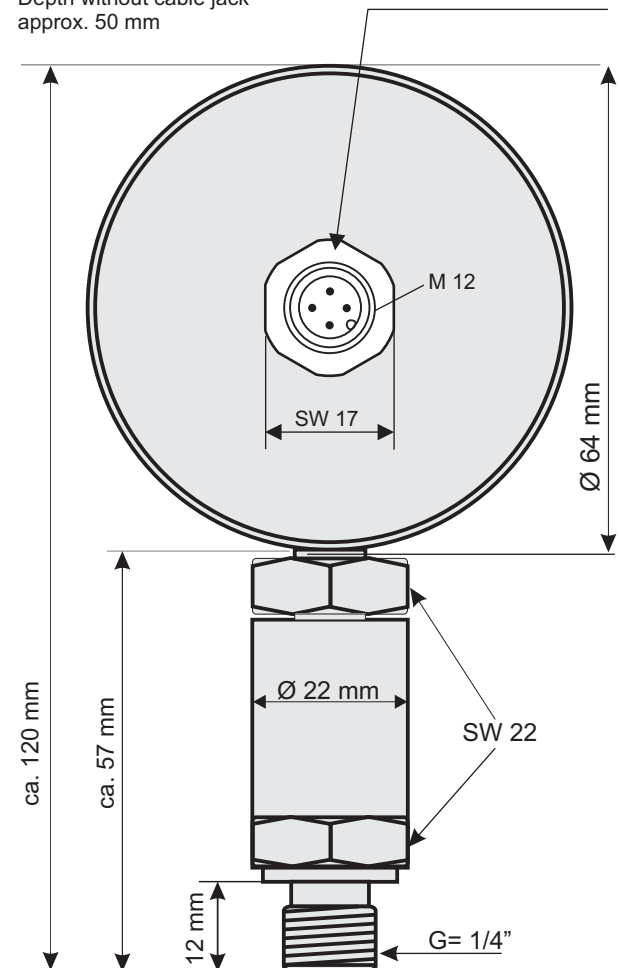


Mechanics

Rear View

Depth with connected angled cable jack approx. 78 mm,
Depth without cable jack approx. 50 mm

Hirschmann-flanged panel plug
ELST 412



User tips

The pneumatic or hydraulic sealing is done by a standard flatseal or O-ring.

The admissible torque during fastening is 25 Nm.

Order name: DS2 - xxx bar -

We reserve the right to make technical modifications