

## Data recording computer ZILA 310

### Criteria

### ZILA 310

#### Single board computer with:

- Mikroprocessor 87 C51 FC
- CAN-Controller SJA 1000
- programm memory: 64 kByte PROM
- data memory: 64 kByte RAM  
battery buffered
- data memory: 1 kByte E<sup>2</sup>PROM
- voltage supply with connector power  
9...12 V
- buffered realtime clock
- Piezo-signal generator
- integrated LCD 2 x 16 characters, alphanum.  
5 mm digit size (optional)
- integrated lock for  
DATAKEY-key: memory capacity  
64...256 Words (optional)
- 2 digital inputs
- 2 digital outputs
- Relay output 24 V / 4 A changer

#### Connection ports

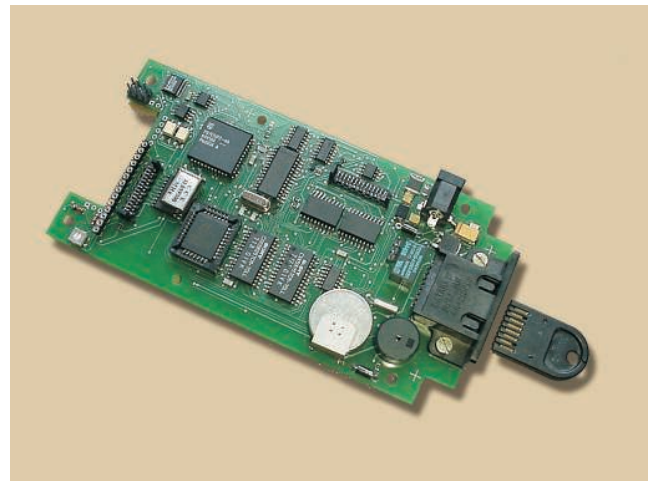
- LCD - parallel device
- DATAKEY-lock (e.g. KC 4210)
- keyboard (4 x 4 Matrix)
- CAN-Bus acc. ISO 11898  
to 1 MBaud  
CAN 2.0 A/B-protocol
- RS232
- I<sup>2</sup>C-Bus module

#### Software

- integrated BASIC-interpreter  
(support all implemented modules)
- PC-development environment
- optional C-library

#### Available features

- fitting hand case with custom-designed front foil
- keyboards
- LCD with all kinds of construction
- CAN-modules examply pressure sensors.
- I<sup>2</sup>C-module for large displays, relay modules,  
DA-changer, etc.



### Application possibilities

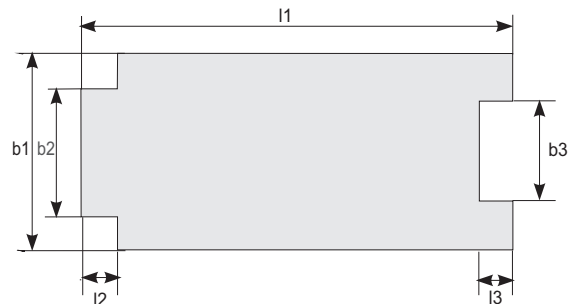
- Databatch systems, dataupdate
- Access-control
- Working- and project time control in small and middle companies
- control computer for machine tools

# Technical data

## Mechanics

### Dimensions

b1	71,5 mm
b2	51,5 mm
b3	38,5 mm
l1	140 mm
l2	10 mm
l3	14 mm



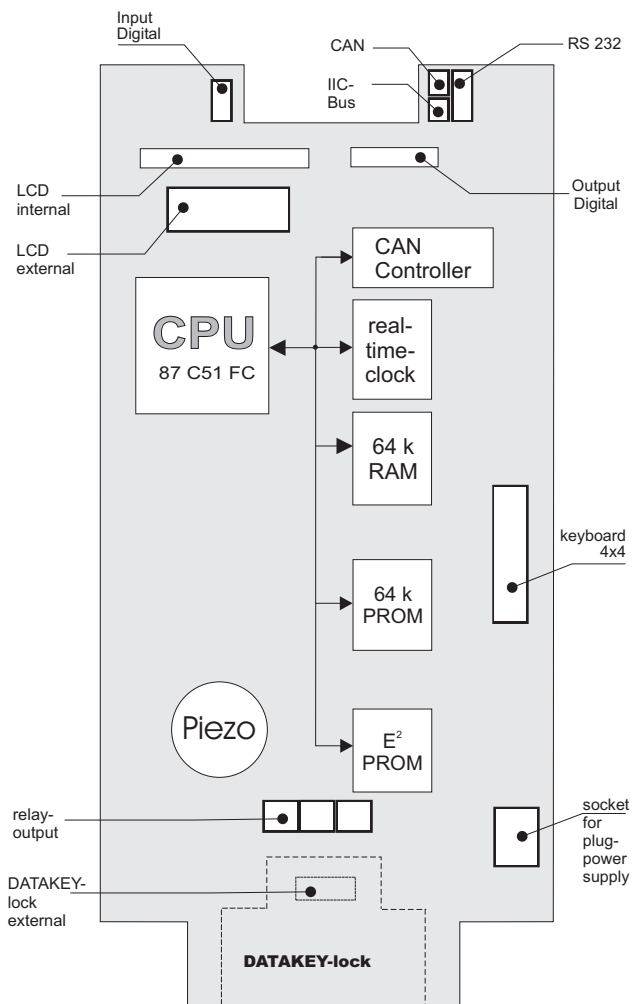
## Electronics

- power supply voltage: 9...12 V DC
- power consumption: by 12 V : typ.65 mA
- processor clock: 11 MHz
- lifetime backup battery: 5 years
- digital inputs with protective circuit (TTL-Pegel)
- digital output: direct: 5 mA (LOW)
- optocoupler: transistor 20 V, 50 mA
- serial ports: RS232, I<sup>2</sup>C-port, CAN-Bus ISO 11898

### Operational conditions:

- operating temperature: 0...+65 °C
- storage temperature: -25...+80 °C
- humidity: max. 85 %  
no condensed
- safety class: IP00

ZILA 310 - computer is usable with equipment, which must be have CE-identification.



We reserve the right to make technical modifications