

# CO<sub>2</sub> Sensor ZMF-200e-IR

## CO<sub>2</sub> sensor for rough applications up to -40 ° C with ATEX and SIL2 certification

- ☑ excellent long-term stability
- ☑ robust stainless steel housing
- ☑ maintenance free by NDIR technology
- ☑ 4...20mA signal output
- ☑ extended operating temperature range -40 ° C
- ☑ SIL2 certification
- ☑ ATEX certification on request
- ☑ attractive price/performance ratio



## Technical Specifications

### Features

Measuring principle	optical, NDIR* <sup>1</sup>
Gas inlet	via diffusion
Signal Output	4...20mA
Power supply	12...24 V DC
Housing	stainless steel
Cable length	1,5 m others on request. Please specify when ordering

### Operating conditions

Operating temperature:	-40 °C...+60 °C
Storage Temperature	-40 °C...+85 °C
relative Humidity	0...90%, non condensing

### Sensor

Heating time	ca. 60 seconds
Reaction time	ca. 30 sec
Accuracy	±1 % of FS range for readings below 25 % of range ±2 % of FS range for readings below 50 % of range ±5 % of FS range above 50 % of range

\*<sup>1</sup>NDIR: Non-dispersive infrared absorption measurement

We reserve the right to make technical changes

**Vertrieb und Beratung:** Tel.: +49 (0)3681-8673020  
**ZILA GmbH** Neuer Friedberg 5

E-Mail: [info@zila.de](mailto:info@zila.de)  
98527 Suhl

## Measuring Range

- ☑ 0...2.000 ppm
- ☑ 0...5.000 ppm
- ☑ 0...1 % vol
- ☑ 0...2 % vol
- ☑ 0...5 % vol
- ☑ 0...20 % vol
- ☑ 0...100 % vol

## Certification

The device complies with the standard:

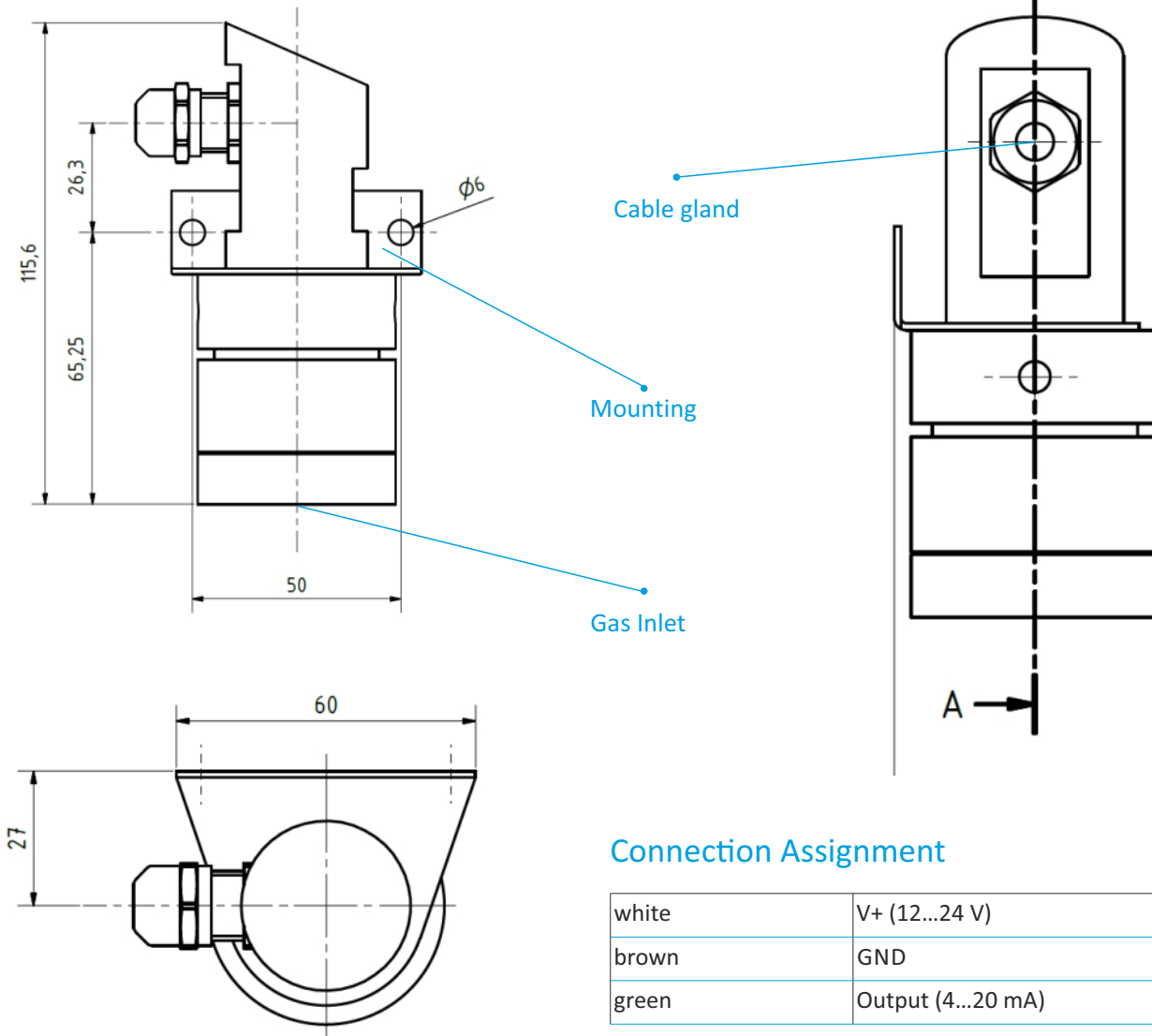
- ☑ EN 50402:2017
- ☑ EN 61508:2010 parts 1 to 7
- ☑ EN 50270 (EMV)

The device has the following certifications:

- ☑ SIL2 certified (standard)
- ☑ ATEX certification only on request

# CO<sub>2</sub> Sensor ZMF-200e-IR

## Housing and dimensions



## Connection Assignment

white	V+ (12...24 V)
brown	GND
green	Output (4...20 mA)

## Order

### Scope of delivery

CO <sub>2</sub> Sensor ZMF-200e-IR
Installation and operating instructions

### Order options

Desired measuring range as mentioned
ATEX certification
Preferred cable length

We reserve the right to make technical changes

**Vertrieb und Beratung:** Tel.: +49 (0)3681-8673020  
**ZILA GmbH** Neuer Friedberg 5

E-Mail: info@zila.de  
 98527 Suhl