

propane sensor ZMF-202e IR

Sturdy propane sensor with a wide operating temperature range and extensive certifications for rough applications

- ☑ Precise propane measurement of the ambient air
- ☑ Excellent long-term stability
- ☑ Robust and high-quality stainless steel housing
- ☑ Maintenance-free due to NDIR technology
- ☑ 4...20mA signal output
- ☑ Extended operating temperature range
- ☑ Attractive price-performance ratio



Technical data

Characteristics

Measuring principle	optical, NDIR* ¹
Gas supply	by diffusion
Signal output	4...20 mA
Power supply	12...24 V DC
Housing	stainless steel
Cable length	1,5 m others on request. Please specify when ordering

Operating conditions

Operating temperature	-40 °C...+60 °C
Storage temperature	-40 °C...+85 °C
Relative humidity	0...95 %, non-condensing

Characteristics of the sensor

Heating time	approx 1 min
Reaction time	approx 30 s
Accuracy	±1 % of FS range for readings below 25 % of range ±2 % of FS range for readings below 50 % of range ±5 % of FS range above 50 % of range

*¹NDIR: non-dispersive infrared absorption measurement

Technical modifications reserved

Sales and consulting: Phone: +49 (0)3681-8673020
ZILA GmbH Neuer Friedberg 5

Email: info@zila.de
98527 Suhl

Measuring ranges

- ☑ 0...1,7 % vol (100 % LEL)
- ☑ 0...2,1 % vol

Applications

- ☑ Machine and plant monitoring
- ☑ Refrigeration technology
- ☑ Personal protection
- ☑ Leakage detection

Certifications

The device complies with the following standards:

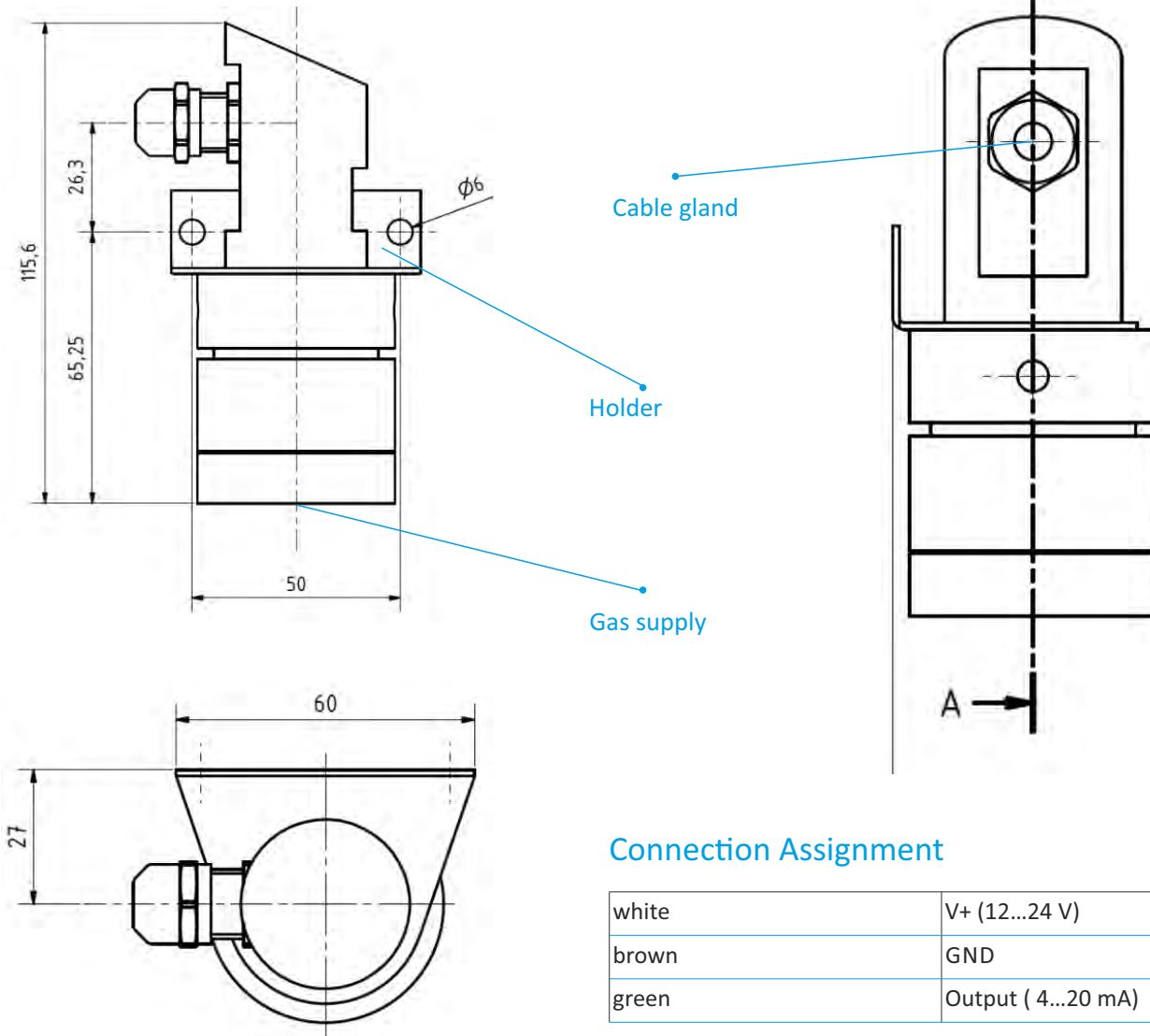
- ☑ EN 50402:2017
- ☑ EN 61508:2010 part 1 to 7
- ☑ EN 50270 (EMV)

The device has the following certifications:

- ☑ SIL2 certified (standard)
- ☑ ATEX certification only on request

propane sensor ZMF-202e IR

Housing and dimensions



Connection Assignment

white	V+ (12...24 V)
brown	GND
green	Output (4...20 mA)

Order

Scope of delivery

ZMF-202e IR
Mounting and operating instructions

Options for your order

Requested measuring range as mentioned above
ATEX certification
Preferred cable length

Technical modifications reserved

Sales and consulting: Phone: +49 (0)3681-8673020
ZILA GmbH Neuer Friedberg 5

Email: info@zila.de
 98527 Suhl