

# CO<sub>2</sub> Switch CSC-1

## CO<sub>2</sub> switch and CO<sub>2</sub>-led exhaust and ventilation controller CSC-1

- ☑ automatic controller for ventilation flap through 2-staged threshold switch
- ☑ 2 switching contacts for ventilation devices with max. 230V / 500W
- ☑ 2 preconfigured adjustable switching threshold
- ☑ CO<sub>2</sub> Sensor for measuring range 0...3000ppm



## Technical Data

### Features

Power supply	230V AC / 200mA mit Netzteil
Dimensions	160x90x50mm LxHxB
International Marking Protection	IP66

### Working conditions

Operating temperature	0...50°C
Relative Humidity	85% nicht kondensierend
EMV / ESD	EN 50082-1, EN 50082-2

### Measuring Range CO<sub>2</sub>

Measuring range (Standard)	0...3000ppm* <sup>1</sup>
Measuring principle	optisch, NDIR* <sup>2</sup>
Accuracy	± 30 ppm ±3% v. MW
Settling time	≤4 sec
Measuring element	kapazitiv, betauungsfest

\*<sup>1</sup> standard sensor from 3000ppm, 5000ppm, 10000ppm, 20000ppm, 50000ppm or with measuring range 0,3 Vol.-%, 0,5 Vol.-%, 1 Vol.-%, 2 Vol.-%, 5 Vol.-%  
other range on request

\*<sup>2</sup> NDIR: non-dispersive infrared absorption measurement

## Connecting options

- ☑ switching output 1: 230V AC / 500W
- ☑ switching output 2: 230V AC / 500W
- ☑ switching output 3: potential free (30V / 1A)
- ☑ switching output 4: potential free (30V / 1A)
- ☑ PG screw terminal
- ☑ supply voltage for exhaust ventilation device: 12V DC / 250mA

## Configuration of the switching threshold

- ☑ preconfigured to customer requirements
- ☑ Default1: 1000/900 ppm for switching output 1+3
- ☑ Default2: 1500/1400 ppm for switching output 2+4

Technical changes reserved

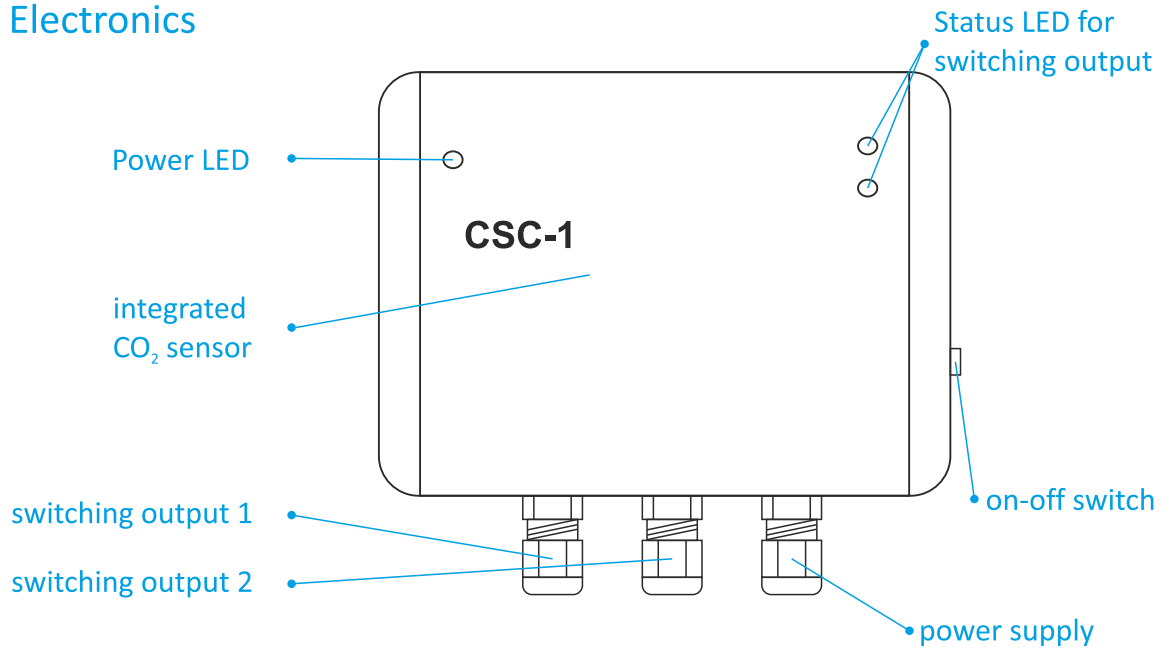
**Vertrieb und Beratung:** Tel.: +49 (0)3681-8673020  
**ZILA GmbH** Neuer Friedberg 5

E-Mail: [info@zila.de](mailto:info@zila.de)  
98527 Suhl

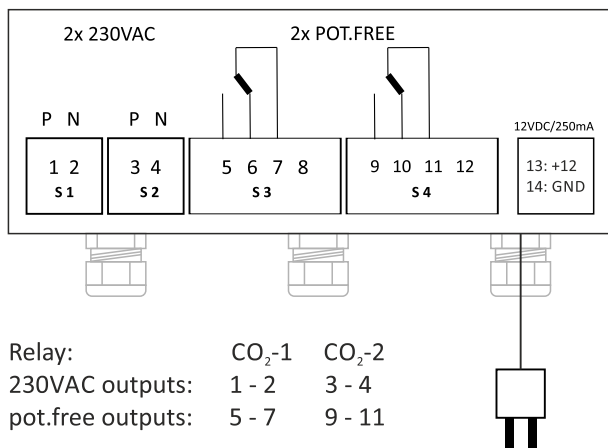
  
[www.zila.de](http://www.zila.de)

# CO<sub>2</sub> Switch CSC-1

## Housing and Electronics



## Connector pin assignment



	CO <sub>2</sub> -1	CO <sub>2</sub> -2
threshold:	>1000 ppm	>1500 ppm
hysteresis:	<900 ppm	<1400 ppm

(The outputs are activated automatically after the thresholds were exceeded and disabled after falling below (with a hysteresis of 100 ppm))

## Ordering

### Scope of Delivery

CO <sub>2</sub> Ventilation controller CSC-1
CO <sub>2</sub> Sensor (integrated)
2m power cable

### Ordering options

different measuring ranges as mentioned

Technical changes reserved

**Vertrieb und Beratung:** Tel.: +49 (0)3681-8673020  
**ZILA GmbH** Neuer Friedberg 5

E-Mail: info@zila.de  
 98527 Suhl

**ZILA**  
 www.zila.de